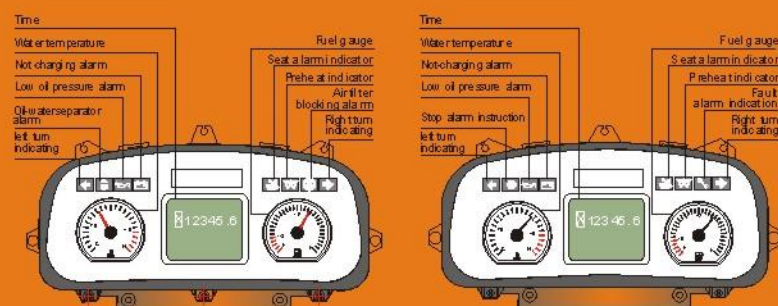


Reliable special designed instrument

The reliable special instrument gives a complete display of the vital information, like operation status, fault detection, etc. It ensures the operator predominate the vehicle status more intuitive and convenient.

- ✓ Stepping motor core
- ✓ Programmable LCD
- ✓ Electrical safety standard meets CE requirements



8-10 ton ENGINE POWERED FORKLIFT

8-10 ton ENGINE POWERED FORKLIFT



STANDARD EQUIPMENT

- Hour meter
- Horn
- Oil pressure alarm
- Three-spool control valve
- Power steering
- Rubber pedal pad
- Backrest
- Backview mirror
- Front combined lights
- Transmission oil filter
- Engine flameout device
- Parking brake cable
- Water temperature meter
- Attachment tools
- Rear combined lights
- Reversing buzzer
- Self-locking tilt valve
- Tilt adjustable steering column
- Overhead guard
- Standard forks
- Neutral switch
- Hydraulic circuit oil filter
- Radiator tank
- Speed-limiting valve
- Oil meter
- Battery-charge indicator
- Wide-view mast
- Intake device
- Durable tire
- Operating handles
- Traction pin
- Standard seat
- Hydraulic oil gauge
- Overhead guard raincoat
- Torque converter oil gauge
- Combined display

OPTIONS

- Cab
- Rotating warning light
- Vertical exhaust
- Double air filter
- Suspension seat
- Extended fork sleeve
- Heater
- Solid tire
- Widening fork carriage
- Windglass
- Purifying muffler
- Fire muffler
- Fire extinguisher
- Rear lights
- Air conditioning (some models)
- Electro-hydraulic switch
- OPS driving control
- Torque converter oil temperature meter
- Tilt cylinder sleeve
- Steering cylinder sleeve
- User-specified color
- Optional attachments

Manufacturer: **ANHUI HELI CO., LTD.**
 NO.668 Fangxing Street, Economic Development Zone,
 Hefei, P.R.China
 TEL: (0551) 63639458
 FAX: (0551) 63639966
 WEBSITE: [HTTP://WWW.CHLFORLIFT.COM](http://www.chlforlift.com)
 E-MAIL: chl@chlforlift.com

AUTHORIZED DEALER

*Details of specifications and equipment are based on information available at the time of printing and may change without notice.



ENGINE POWERED
FORKLIFT

8-10_{ton}

CHL

Reliable forklift

A reliable Drive system



As the most reliable transmission system produced by HELI, it has been validated by over twenty years' experience in the world market. Meanwhile, various ancillary devices of the power system ensure the reliability effectively.

- ✓ Durable transmission
- ✓ Equipped with the intake system
- ✓ Standard distribution of air filter pressure alarm device
- ✓ Automatic engine preheating system
- ✓ Cyclone Air Filter
- ✓ Lost foam casting
- ✓ Various high-power engines are available for customers' optional choices

A reliable mast



The high internal-qualified mast confirmedly ensures the safety of the operator, truck and cargo. Standard configuration of the wide-view mast enlarges operators' view effectively, and ensures loading /unloading operations more

- ✓ Using the best German steel material for triplex mast
- ✓ The frame of mast has more strength basing on the enlarged channel interface.



A reliable hydraulic system

HELI has the most professional R&D base of cylinders, where we take advantage of the advanced manufacturing technologies and detecting means to ensure the reliability of all cylinders of the hydraulic system.

- ✓ Standard tilt cylinder by HELI
- ✓ Standard lift cylinder by HELI
- ✓ Standard steering cylinder by HELI
- ✓ Self-locking tilt cylinder
- ✓ Standard hydraulic circuit filter
- ✓ Speed buffer device on lifting system



A reliable steering system

The steering system with new technologies not only provides a smoother swerve and faster positioning & steering, but also effectively ensures operators' safety.



- ✓ Full hydraulic power steering
- ✓ Smaller turning radius
- ✓ Wearable tire

Comfortable operation space

Large operation space with ergonomic-design and configuration ensure the operation more comfortable & convenient, and effectively enhance the efficiency & safety of operation.

- ✓ Newly patented insulation materials of Bonnet
- ✓ Well-designed non-slip mat
- ✓ Special display with easily reading
- ✓ Standard files packet
- ✓ Standard distribution of overhead guide raincoat
- ✓ Filled with noise-reducing and buffer rubber material between bonnet and frameworks





ENGINE POWERED
FORKLIFT

8-10 ton



Manufacturers Data and Design Characteristics

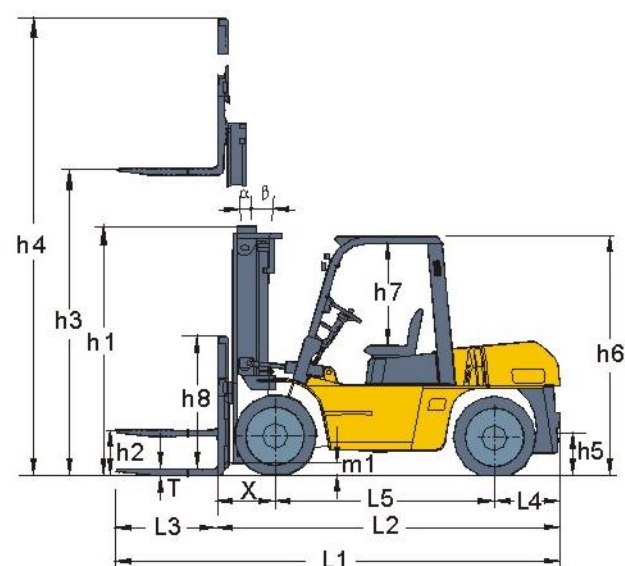
Characteristics				ANHUI HEIJI CO., LTD.			
				CPCD80	CPCD100	CPCD80	CPCD100
1	Manufacturer						
2	Model						
3	Power unit	Diesel					
4	Rated Capacity	kg	8000	10000	8000	10000	
5	Load Center	mm	600				
6	Operation	Driver Seated					
Dimensions							
7	Over all max. lifting height (with backrest)	h4	mm	4360	4085	4360	4085
8	Max. lifting height	h3	mm	3000			
9	Height mast retracted (upright)	h1	mm	2700	2850	2700	2850
10	Free lift height	h2	mm	200			
11	Backrest height (from upper face of forks)	h8	mm	1360	1015	1360	1015
12	Overhead Guard clearance (from face of seat)	h7	mm	1120			
13	Over all height (overhead guard)	h6	mm	2560	2560	2560	2560
14	Over all length (with forks)	L1	mm	5160	5480	5160	5480
15	Over all length (with out forks)	L2	mm	3940	4260	3940	4260
16	Front overhang	X	mm	700	718	700	718
17	Rear overhang	L4	mm	740	740	740	740
18	Wheel base	L5	mm	2500	2800	2500	2800
19	Coupler height	h5	mm	540	540	540	540
20	Min. ground clearance under mast	m1	mm	245	245	245	245
21	Over all width	B	mm	2165	2165	2165	2165
22	Lateral fork adjustment outside of fork (Max./Min.)	R	mm	200/340	2140/410	2000/340	2140/410
23	Tread (front)	S	mm	1600	1600	1600	1600
24	Tread (rear)	P	mm	1700	1700	1700	1700
25	Outside turning radius	Va	mm	3700	3900	3700	3900
26	Inside turning radius	V	mm	200	200	200	200
27	Min. intersecting aisle	Ra	mm	3310	3540	3310	3540
28	Tilting angles (forward/backward)	α/β	6° / 12°				
29	Fork dimensions (a x b x c)	mm	70 x 1220 x 170	80 x 1220 x 175	70 x 1220 x 170	80 x 1220 x 175	
Performance							
30	Max. Traveling speeds (With/Without load)	km/h	26/30	26/30	26/28	26/30	
31	Lifting Speeds (With/Without load)	mm/s	440/470	360/380	400/440	330/370	
32	Lowering Speeds (With/Without load)	mm/s	≤ 600 / ≥ 300				
33	Max. Draw-bar pull, With load	kN	60	58	59	57	
34	Max. Negotiable Gradient (With/Without load)	%	27/20	22/20	25/20	21/20	
Weights							
35	Service Mass	kg	10960	12510	10960	12510	
36	Load Wheel with load (Front/Rear)	kg	1700/1960	20380/2130	17000/1960	20380/2130	
37	Load Wheel without load (Front/Rear)	kg	4840/6120	5700/6810	4840/6120	5700/6810	
Tyres							
38	Wheels number front/rear (x=driven)	4x/2					
39	Tyre Type	PNEUMATIC TYRE					
40	Tyre size (front)	9.00-20-14PR					
41	Tyre size (rear)	9.00-20-14PR					
42	Service Brake	Hydraulic-Foot Pedal				Hydraulic-Foot Pedal	
43	Parking Brake	MECHANICAL-HAND BRAKE ROD				MECHANICAL-HAND BRAKE ROD	
Drive							
44	Battery (Voltage/Capacity)	V/Ah	2x12/80			2x12/80	
45	Internal Combustion Engine Model	Cummins QSB4.5			Perkins 1104D-44TA		
46	Engine type	Electronic controlling, Turbocharged, Air-to-air intercooled diesel engine			Turbocharged, Air-to-air intercooled diesel engine		
47	Internal Combustion Engine Rated Output	kW/rpm	82/2200			83/2200	
48	Internal Combustion Engine Rated Torque	Nm/rpm	488/1500			418/1400	
49	Internal Combustion Engine Number of Cylinder	4					
50	Internal Combustion Engine Displacement	L	4.5			4.4	
51	Internal Combustion Engine Fuel Tank Capacity	L	140			140	
52	Transmission type	Power Shift				Power Shift	
53	Transmission Number of Speed Fwd/Bwd	2/2		2/2		2/2	

Engine Model and Main Specification for Option

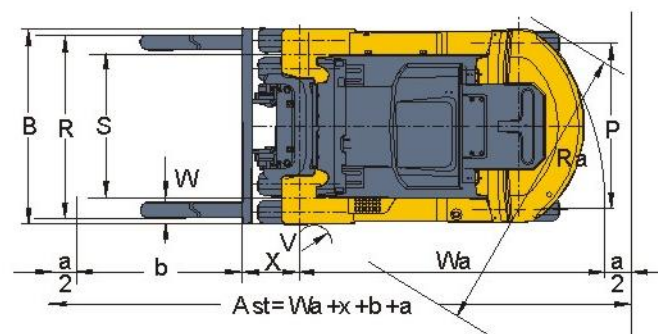
Internal Combustion Engine Model	Engine type	Internal Combustion Engine Rated Output	Internal Combustion Engine Rated torque	Internal Combustion Engine Displacement	Internal Combustion Engine Number of Cylinder
		kW/rpm	Nm/rpm	L	
ISUZU 6BG1	Normally Aspirated	82/2000	415/1400-1600	6.494	6
XINCHAI CA6110	Normally Aspirated	83/2000	450/1400-1500	7.127	6

SIDE SHIFTER ON 10T FREE LIFTING MAST

Mast model	Max. Fork Height (mm)	Load Capacity (kg)	Overall Mast Height (At Lowered) (mm)	Tilting Angle Fwd/Bwd (deg.)	Service Weight (kg)
ZSM360	3600	8000	2570	6-12	12580
ZSM400	4000	8000	2700	6-12	12640
ZSM435	4350	8000	2820	6-12	12700
ZSM480	4800	7500	2970	6-6	12760
ZSM500	5000	7500	3035	6-6	12810
ZSM540	5400	7000	3225	3-6	12880
ZSM600	6000	6000	3425	3-6	12960



Ast: Aisle width with load
a: Clearance
b: Length of Loading



8-10t WIDE VIEW MAST

Mast model	Max. Fork Height (mm)	Load Capacity (kg)		Overall Mast Height (At Lowered) (mm)		Service Weight (kg)		Tilting Angle (deg.)
		CPCD80	CPCD100	CPCD80	CPCD100	CPCD80	CPCD100	
M250	2500	8000	-	2480	-	10870	-	6-12
M270	2700	8000	-	2550	-	10920	-	6-12
M300	3000	8000	10000	2700	2860	10960	12150	6-12
M330	3300	8000	10000	2850	3000	11020	12215	6-12
M350	3500	8000	10000	2950	3100	11060	12260	6-12
M375	3750	8000	10000	3075	3225	11100	12310	6-12
M400	4000	8000	10000	3250	3400	11310	12450	6-12
M425	4250	8000	10000	3375	3525	11360	12510	6-12
M450	4500	8000	10000	3500	3650	11400	12560	6-12
M475	4750	7750	10000	3625	3775	11450	12620	6-6
M500	5000	7750	10000	3750	3900	11500	12670	6-6
M550	5500	7400	9000	4050	4200	11740	12910	3-6
M600	6000	7000	8000	4300	4450	11830	13020	3-6

CPCD80 CPCD100



Note:
Capacities shown are computed with upright in vertical position. Based on a 1000 mm cube load configuration with the center of gravity at the true center of the cube, and standard forks. Truck capacities with upright in forward tilt position will be less. Long forks, and unusually wide or loads may also reduce capacity.

8-10t WIDE VIEW FULL FREE 3-STAGE MAST

Mast model	Max. Fork Height (mm)	Load Capacity (kg)		Overall Mast Height (At Lowered) (mm)		Service Weight (kg)		Free lift with Backrest (mm)		Tilting Angle Fwd/Bwd (deg.)
		CPCD80	CPCD100	CPCD80	CPCD100	CPCD80	CPCD100	CPCD80	CPCD100	
ZSM360	3600	7000	8000	2450	2570	11350	12580	1092	1310	6-12
ZSM400	4000	7000	8000	2575	2700	11420	12640	1217	1440	6-12
ZSM435	4350	7000	8000	2700	2820	11490	12700	1342	1560	6-12
ZSM480	4800	7000	7500	2850	2970	11570	12760	1492	1710	6-6
ZSM500	5000	7000	7500	2950	3035	11640	12810	1592	1775	6-6
ZSM540	5400	6600	7000	3075	3225	11710	12880	1717	1965	3-6
ZSM600	6000	6000	6000	3375	3425	12050	12960	2017	2165	3-6
ZSM650	6500	5500	5600	3600	3695	12150	13250	2242	2335	3-6
ZSM700	7000	4500	-	3750	-	12240	-	2392	-	3-6

NOTE: 8-FREE LIFTING HEIGHT WITH HOUR T-UP T-BRACKET +213mm (10t with out backrest)